

EXECUTION VERSION

I-395 Project

Exhibit C-3

Technical Requirements

Attachment 3.11

Aesthetic Treatments for Bridges

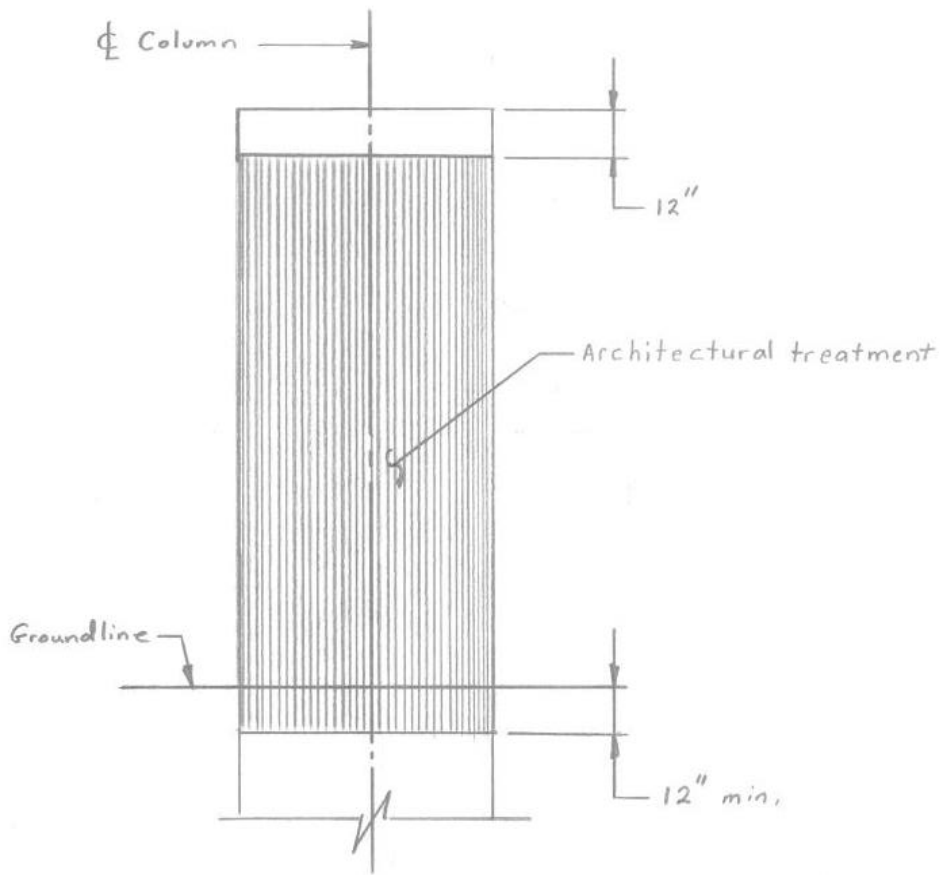
EXECUTION VERSION

1 Aesthetic Treatments for Bridges

The aesthetic treatments of bridges shall be as outlined in Section 3.11 - Aesthetics, of the Technical Requirements. The following bridge pier aesthetic details are provided to supplement the requirements listed in the section above.

Architectural Treatment on Pier Columns

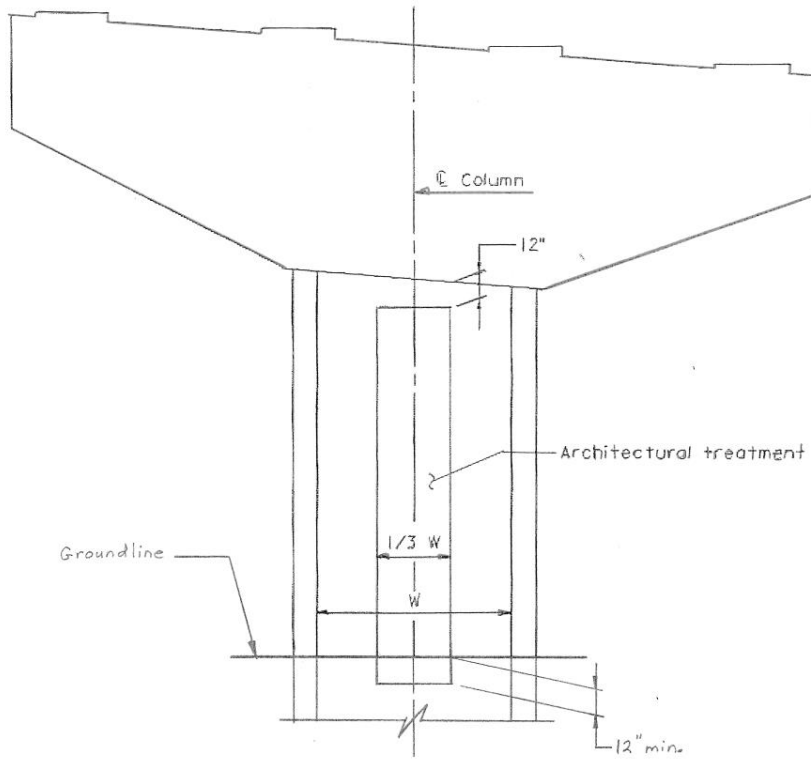
1.1 Straddle Bent Piers with Round Columns



ELEVATION

EXECUTION VERSION

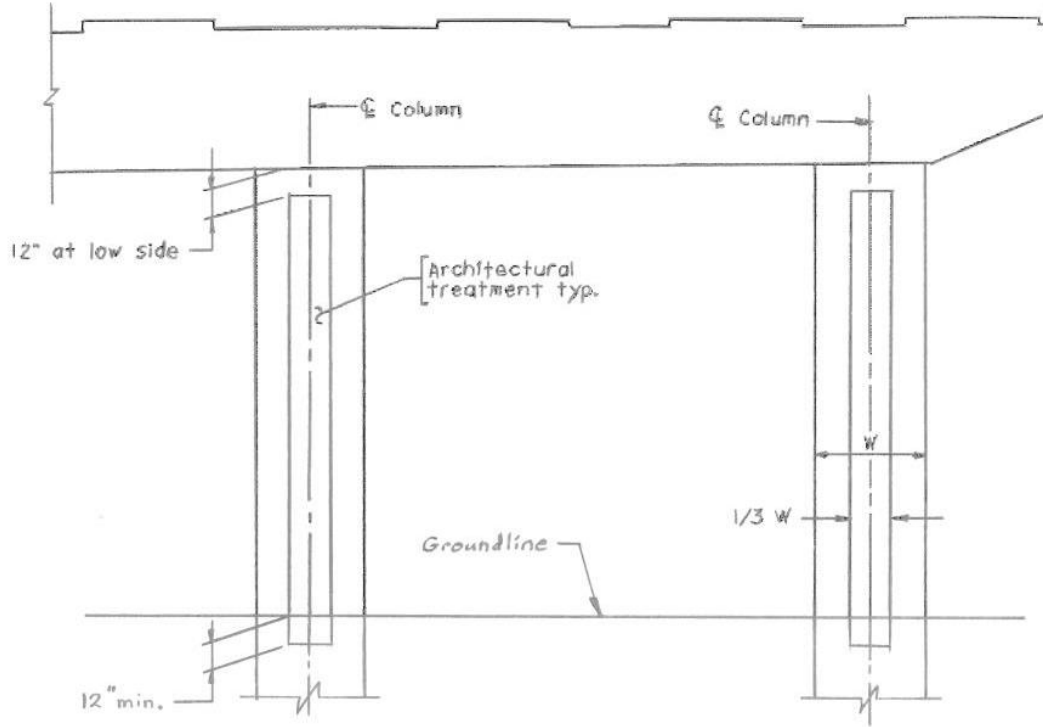
1.2 Hammerhead Piers with Rectangular Column



ELEVATION

EXECUTION VERSION

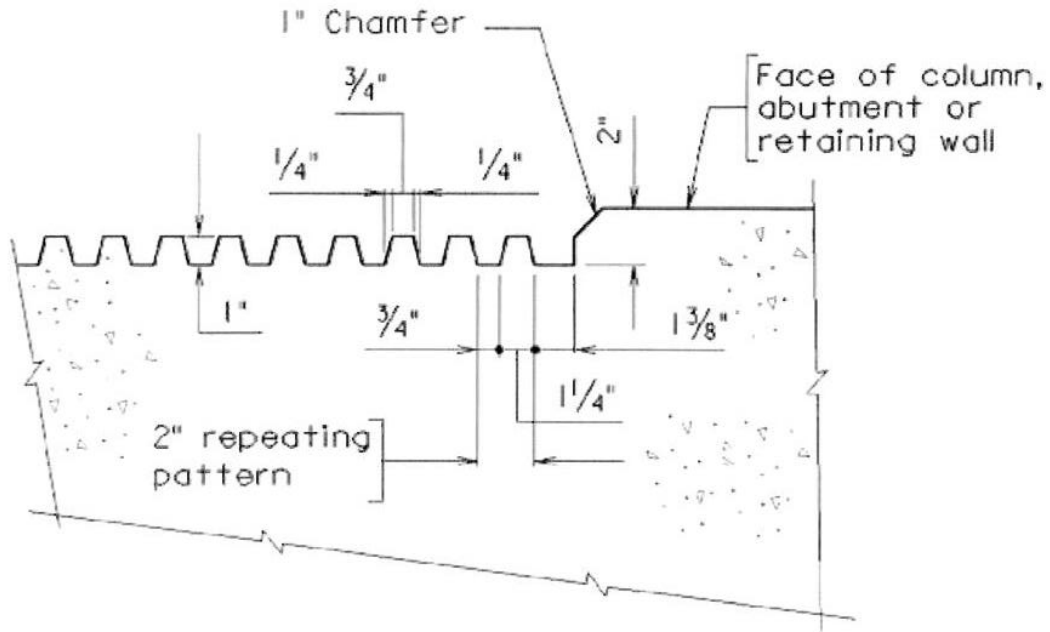
1.3 Multi Column Pier with Square Columns



ELEVATION

EXECUTION VERSION

1.4 Detail of Architectural Treatment



Note: Repeating pattern of treatment similar for round columns.