

I-95 HOV/HOT Lanes Project

Exhibit C

Technical Requirements

Attachment 3.11

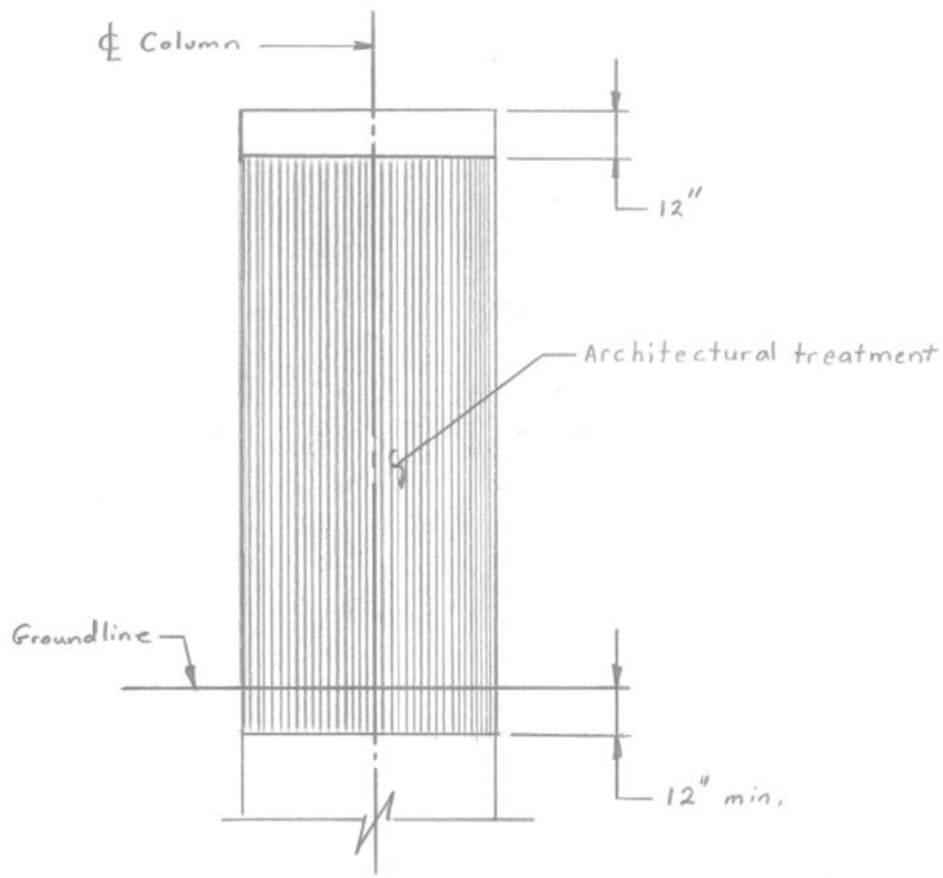
Aesthetic Treatments for Bridges

1 Aesthetic Treatments for Bridges

The aesthetic treatments of bridges shall be as outlined in Section 3.11 - Aesthetics, of the Technical Requirements. The following bridge pier aesthetic details are provided to supplement the requirements listed in the section above.

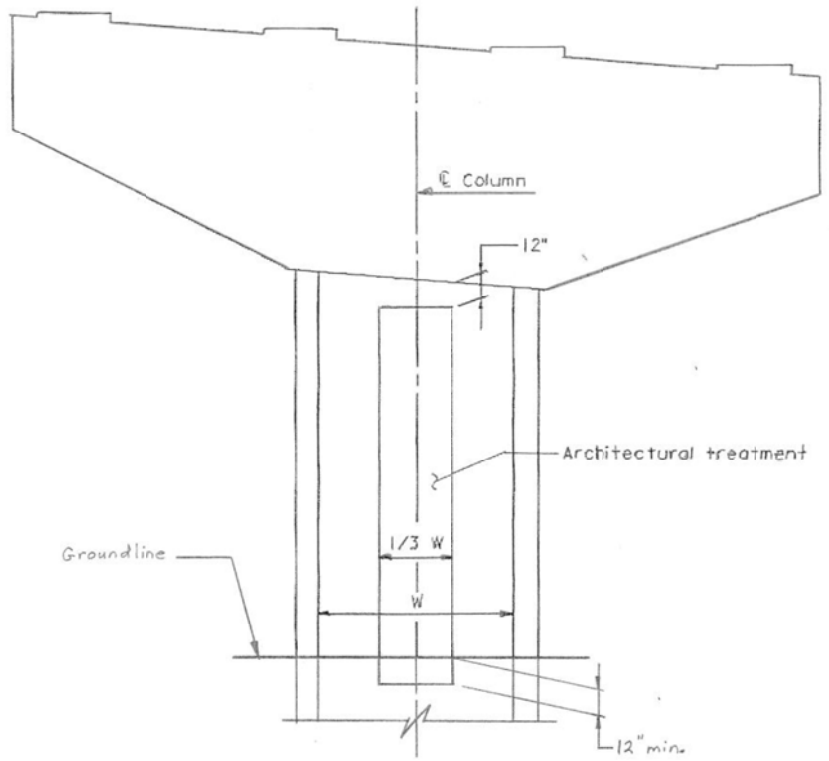
Architectural Treatment on Pier Columns

1.1 Straddle Bent Piers with Round Columns



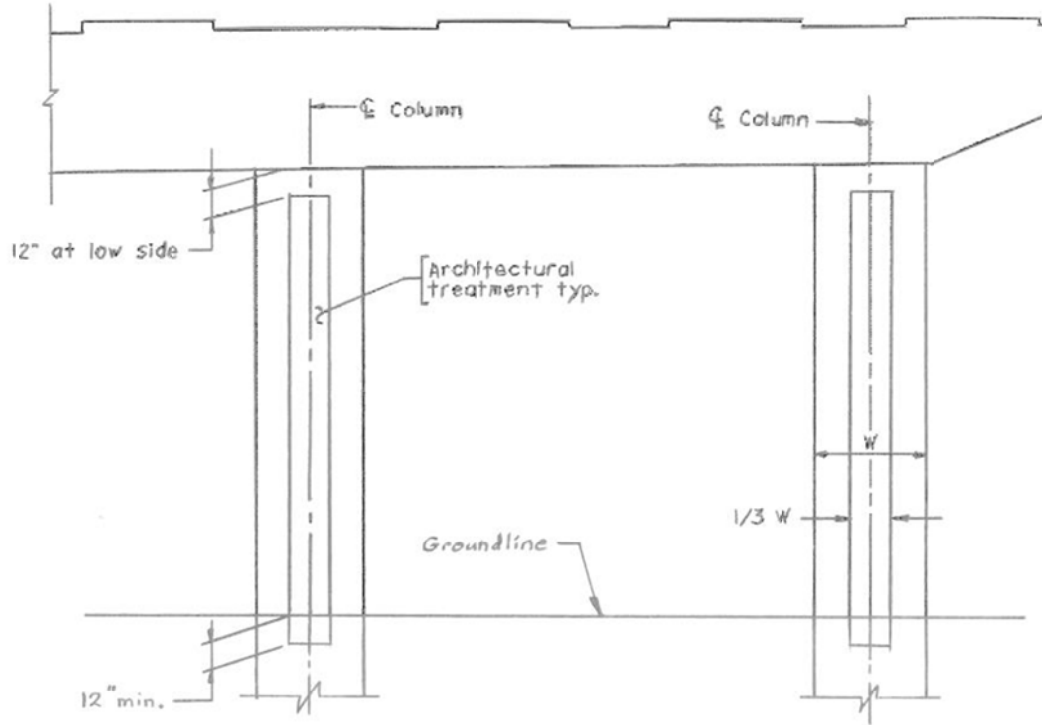
ELEVATION

1.2 Hammerhead Piers with Rectangular Column



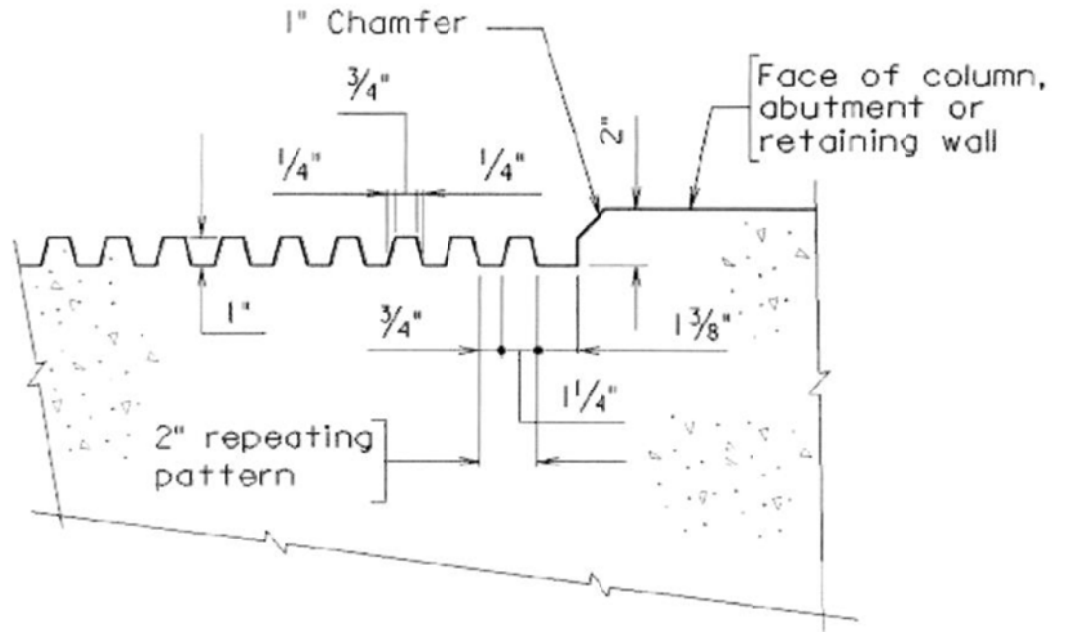
ELEVATION

1.3 Multi Column Pier with Square Columns



ELEVATION

1.4 Detail of Architectural Treatment



Note: Repeating pattern of treatment similar for round columns.